



Pro Xp™

Electrostatic Spray Guns
That Deliver Expert Performance



PROVEN QUALITY. LEADING TECHNOLOGY.

Choose PRO Xp

Experienced Painters rely on

Expert Performance



Pro Xp

We took our trademark, high performing Electrostatic Spray Guns and made them better. **They are smaller, lighter and designed to maximize your profits.**

And with **more models** to choose from, you'll get the same performance you've come to expect from Graco – now with greater spraying flexibility for your ever changing production needs.

Stand Out Above the Rest

With state-of-the-art technology and consistently better finishes

With excellent finish quality, air caps and spray tips that are designed to deliver an even higher quality finish, the Pro Xp is a real stand out! Plus, every gun is tested and delivered with a certificate indicating the spray pattern, mechanical performance and electrical performance meet Graco's requirements and your expectations.



Smart Controls

Analyze Spray Performance

Bar graph shows kV and current, while alternator speed indicator displays electrostatic performance.

Adapt to Your Voltage Needs

Adjust quickly between low or high kV. Change the low setting in 5 kV increments with the push of a button.

Eliminate Guesswork

Diagnostic mode assists troubleshooting with a digital display of actual voltage, current and hertz.

Quick Smart Display Changeout

Remove cartridge quickly and easily when ready to replace.



Built-in Dependability

Stay Running Longer

Durable components give you extra peace of mind knowing that you'll spend less time fixing and more time spraying.

Lower Cost of Ownership

3-Year Warranty, ease of repair and durable components reduce ownership cost.

Increase Productivity

Reduce Muscle Strain

Smaller and lighter gun body is well-balanced making it easier to spray at a steady rate all day.

Reduce Operator Fatigue

No more heavy power cords to slow you down. The power supply is built into the gun for added efficiency.

Increase Operator Comfort

Ergonomic handle is designed to fit comfortably in sprayer's hand.

Maximize Your Profits

Spray More with Less

40 kV Booster gun gives you the transfer efficiency of a 60 kV gun, in a smaller, more compact size.

Save Money

Higher transfer efficiency equals less waste – saving you money on material.

Save on Energy Costs

New air caps use less air and help lower your energy bill.

Pro Xp Air Spray

WB100™

Air Spray Waterborne Isolation System

Paired with a **Pro Xp WB** Spray Gun, this portable cabinet isolates waterborne coatings.



Triton™

Air-Operated Diaphragm Spray Packages

Air Spray Packages combine a **Pro Xp Air Spray** gun with our **Triton** air-operated diaphragm pump to deliver high quality finishes.



Smart Controls

Available in 60 kV
& 85 kV Models

Alternator Speed Indicator

Indicator changes colour with electrostatic performance

Control Knobs

Convenient, easy to access and large knobs allow for easier gun adjustment

Atomizing Air Control

Adjust air from full to minimal to fit your spraying needs

Optional low profile version available

Ergonomic Handle

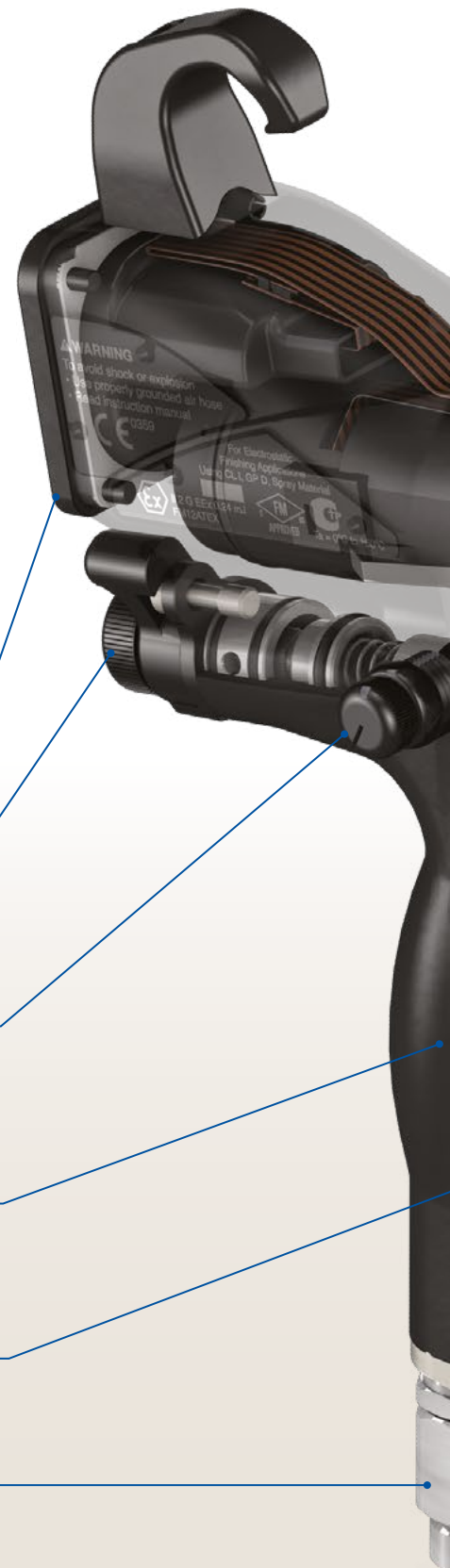
Smooth, curved handle fits nicely in your hand for comfortable spraying

Light Trigger Pull

Reduces muscle strain and operator fatigue

Air Inlet Swivel

Increases manoeuvrability





Smaller, Lighter & Superior Quality Spray

Get consistent, high quality finishes every time you spray!

All models are up to 2.5 cm (1 in) shorter and 110 g (4 oz) lighter – the smallest profile gun with an internal power supply on the market!

Available in 40, 60 & 85 kV

Internal Power Supply

Reduce operator fatigue with no heavy cords to slow you down

High Wear Components

Unique design for abrasive materials. Nozzle and electrode allow longer life with abrasive and metallic coatings.

Standard on High Conductivity guns



when you need a little more power

kV Booster Gun

Get the transfer efficiency of a 60 kV gun, in a smaller, more compact size of a 40 kV gun.



when you need a bell-shaped pattern

Round Spray

For parts that require a slow velocity, bell-shaped spray pattern. Available in 60 kV model, but kit fits all air spray guns.



when you have a low resistivity material

High Conductivity Gun

Longer fluid tube allows for spraying lower resistivity material. Available in 40, 60 & 85 kV.



Smaller, Lighter & Superior Quality Spray

Get a more consistent, high quality finish every time you spray! Plus, the 60 kV gun is the smallest and lightest air-assist gun on the market.

Available in 60 & 85 kV



AEM & AEF Tip Lines

AEM Tip - Delivers a high quality finish for a variety of applications

AEF Tip - Designed with a pre-orifice which helps atomize paints for fine finish applications



More Efficient Air Cap

Increase transfer efficiency up to 10%

Improve spray performance and cleanliness

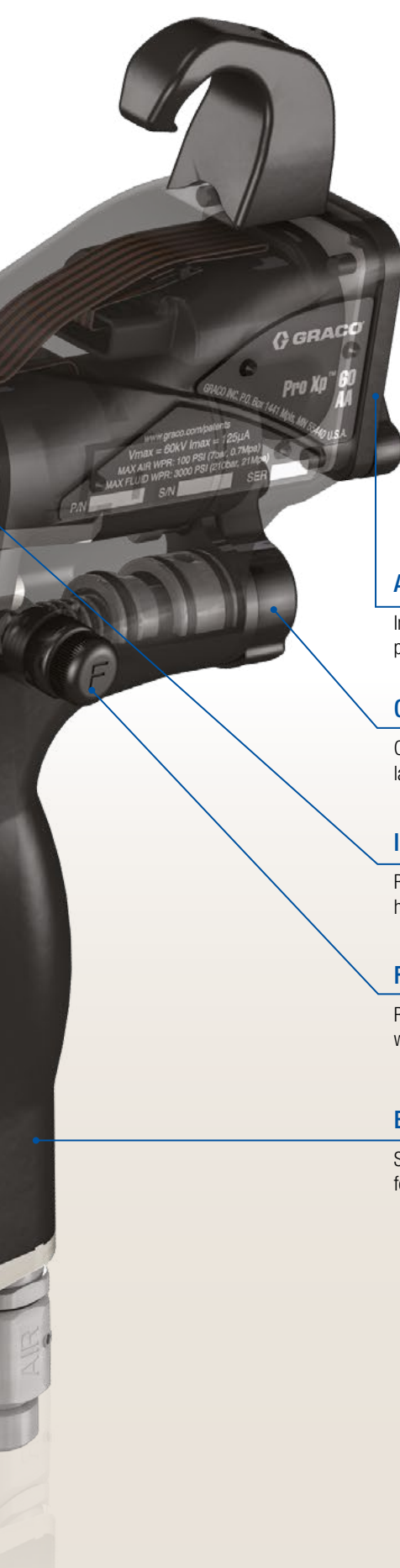
One-piece air cap is indexed for accurate positioning

Fluid Filter

Integrated filter reduces clogging by keeping debris out of the tip



Pro Xp Air-Assist



Smart Controls Available in 60 kV & 85 kV Models

Alternator Speed Indicator

Indicator changes colour with electrostatic performance

Control Knobs

Convenient, easy to access and large knobs allow for easier gun adjustment

Internal Power Supply

Reduce operator fatigue with no heavy cords to slow you down

Fan Adjust Pattern Control

Reduce overspray by changing the fan pattern width according to the size of parts

Ergonomic Handle

Smooth, curved handle fits nicely in your hand for comfortable spraying

Merkur™

Air-Assist Fine Finish Spray Packages

This complete finishing system improves productivity, reduces costs and provides consistent, high quality finishes when paired with a **Pro Xp Air-Assist** gun.



WB3000™

Air-Assist Waterborne Isolation System

Paired with the **Pro Xp WB Air-Assist** gun, this portable isolation cabinet with Merkur ES 30:1 is designed to spray waterborne materials at high pressures.



Calculate your savings

Return on Investment

Use these ROI calculators to see how much you can save when you replace conventional air-assist and HVLP guns with Pro Xp Electrostatic Guns.



ROI Calculator

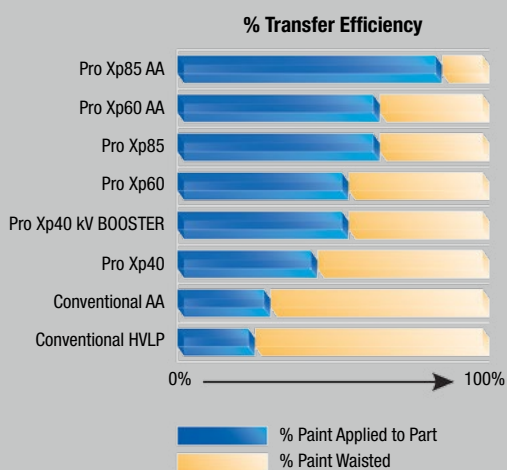
	Example Facility	Your Facility
Paint price per liter	15	
Liters sprayed per day	20	
Business days per month	20	
	(Multiply to get total)	(Multiply to get total)
One Month Material Cost	€ 6.000,-	

Pro Xp Air Spray Material Savings

Compared to Conventional HVLP

Pro Xp85	50%	
Pro Xp40 kV Booster	40%	
Pro Xp60	40%	
Pro Xp40	30%	
One Month Material Savings	€ 3.000,-	

The Transfer Efficiency chart below shows how your savings increase as you move up the Pro Xp product line.



	Example Facility	Your Facility
Paint price per liter	15	
Liters sprayed per day	20	
Business days per month	20	
	(Multiply to get total)	(Multiply to get total)
One Month Material Cost	€ 6.000,-	

Pro Xp Air-Assist Material Savings

Compared to Conventional Air-Assist

Pro Xp85	55%	
Pro Xp60	45%	

Compared to Conventional HVLP

Pro Xp85	60%	
Pro Xp60	50%	
One Month Material Savings	€ 3.300,-	

Ordering Information

Pro Xp Air Spray

Air Spray Gun Models

Part Number	Power Supply kV	Recommended Coating Type	Display Type	Nozzle Size
L85T10	85	Standard	Standard	1.5 mm (0.055 in)
L85M10	85	Standard	Smart	1.5 mm (0.055 in)
L85T16	85	High Conductivity	Standard	1.5 mm (0.055 in)
L85M16	85	High Conductivity	Smart	1.5 mm (0.055 in)
L60T10	60	Standard	Standard	1.5 mm (0.055 in)
L60T12	60	Standard	Standard	1.2 mm (0.047 in)
L60M10	60	Standard	Smart	1.5 mm (0.055 in)
L60M12	60	Standard	Smart	1.2 mm (0.047 in)
L60T16	60	High Conductivity	Standard	1.5 mm (0.055 in)
L60M16	60	High Conductivity	Smart	1.5 mm (0.055 in)
L60T18	60	Waterborne	Standard	1.5 mm (0.055 in)
L60M18	60	Waterborne	Smart	1.5 mm (0.055 in)
L60T11	60	Standard	Standard	Round Spray
L40T10	40	Standard	Standard	1.5 mm (0.055 in)
L40T16	40	High Conductivity	Standard	1.5 mm (0.055 in)

All gun models include air cap part number 24N477.

High Conductivity gun models include a High Conductivity Fluid Tube, High Wear Nozzle and High Wear Electrode.

Air Spray with kV Booster Gun Models

Part Number	Power Supply kV	Recommended Coating Type	Display Type	Nozzle Size
L40T14	40	Standard	Standard	1.5 mm (0.055 in)
L40T15	40	High Conductivity	Standard	1.5 mm (0.055 in)

AIR CAP SELECTION CHART

Part Number (colour)	Pattern Shape	Length cm (in)	Recommended Fluid Viscosity cp at 21°C (70°F)	Recommended Production Rates
24N477 (black)	Round end	381-432 (15-17)	Light to medium (20–70 cp)	Up to 450 cc/min (15 oz/min)
24N438 (black)	Round end	381-432 (15-17)	Light to medium (20–70 cp)	Up to 450 cc/min (15 oz/min)
24N279 (black)	Round end	356-406 (14-16)	Medium to heavy (70–260 cp), and high solids (360+cp)	Up to 450 cc/min (15 oz/min)
24N376 (black), 24N276 (blue) 24N277 (red), 24N278 (green)	Tapered end	432-483 (17-19)	Light to medium (20–70 cp)	Up to 450 cc/min (15 oz/min)
24N274 (black)	Tapered end	305-356 (12-14)	Light to medium (20–70 cp)	Up to 450 cc/min (15 oz/min)
24N275 (black)	Tapered end	356-406 (14-16)	Light to medium (20–70 cp), and high solids (360+cp), aerospace coatings	Up to 750 cc/min (25 oz/min)
24N439 (black)	Tapered end	279-330 (11-13)	For use with 2.0 mm nozzles. Medium to heavy (70–260 cp), and high solids (360+cp)	Up to 600 cc/min (20 oz/min)
24N453 (black)	Round end	356-406 (14-16)	Light to medium (20-70 cp)	Up to 450 cc/min (15 oz/min)

- Distance to target: 254 mm (10 in)
- Inlet air pressure: 3.4 bar (34 kPa, 50 psi)
- Fan air: adjusted for maximum width
- Fluid flow rate: 300 cc/min (10 oz/min)

NOZZLE SELECTION CHART

Fluid Nozzle for Standard Materials

Part Number	Colour	Orifice Size - mm (inch)
24N619	Black	0.55 (0.22)
24N613	Black	0.75 (0.29)
24N614	Black	1.0 (0.042)
24N615	Black	1.2 (0.047)
24N616	Black	1.5 (0.055)
24N617	Black	1.8 (0.070)
24N618	Black	2.0 (0.022)

High Wear Fluid Nozzle for Abrasive Materials

Part Number	Colour	Orifice Size - mm (inch)
24N620	Blue	0.75 (0.29)
24N621	Blue	1.0 (0.042)
24N622	Blue	1.2 (0.047)
24N623	Blue	1.5 (0.055)
24N624	Blue	1.8 (0.070)
24N625	Blue	2.0 (0.022)

Ordering Information

Pro Xp Air-Assist

Air-Assist Gun Models

Part Number	Power Supply kV	Recommended Coating Type	Display Type
H85T10	85	Standard	Standard
H85M10	85	Standard	Smart
H60T10	60	Standard	Standard
H60M10	60	Standard	Smart
H60T18	60	Waterborne	Standard
H60M18	60	Waterborne	Smart

All gun models include AEM or AEF tip of choice.

AEM SPRAY TIPS

Recommended for high finish quality applications at low and medium pressures.
Order desired tip, Part No. AEMxxx, where xxx = 3-digit number from the matrix below.

Orifice Size mm (inch)	Fluid Output fl l/min (oz/min)		Maximum Pattern Width at 305 mm (12 inches) mm (inches)							
	at 41 bar (4.1 MPa - 600 psi)	at 70 bar (7.0 MPa - 1000 psi)	50-100 (2-4)	100-150 (4-6)	150-200 (6-8)	200-250 (8-10)	250-300 (10-12)	300-350 (12-14)	350-400 (14-16)	400-450 (16-18)
			Spray Tip							
† 0.178 (0.007)	0.1 (4.0)	0.15 (5.2)	107	207	307	–	–	–	–	–
† 0.229 (0.009)	0.2 (7.0)	0.27 (9.1)	–	209	309	409	509	609	–	–
† 0.279 (0.011)	0.3 (10.0)	0.4 (13.0)	–	211	311	411	511	611	711	–
0.330 (0.013)	0.4 (13.0)	0.5 (16.9)	–	213	313	413	513	613	713	813
0.381 (0.015)	0.5 (17.0)	0.7 (22.0)	–	215	315	415	515	615	715	815
0.432 (0.017)	0.7 (22.0)	0.85 (28.5)	–	217	317	417	517	617	717	–
0.483 (0.019)	0.8 (28.0)	1.09 (36.3)	–	–	319	419	519	619	719	–
0.533 (0.021)	1.0 (35.0)	1.36 (45.4)	–	–	–	421	521	621	721	821
0.584 (0.023)	1.2 (40.0)	1.56 (51.9)	–	–	–	423	523	623	723	823
0.635 (0.025)	1.5 (50.0)	1.94 (64.8)	–	–	–	425	525	625	725	825
0.736 (0.029)	1.9 (68.0)	2.65 (88.2)	–	–	–	–	–	–	–	829
0.787 (0.031)	2.2 (78.0)	3.03 (101.1)	–	–	–	431	–	631	–	831
0.838 (0.033)	2.5 (88.0)	3.42 (114.1)	–	–	–	–	–	–	–	833
0.939 (0.037)	3.1 (108.0)	4.20 (140.0)	–	–	–	–	–	–	737	–
0.990 (0.039)	3.4 (118.0)	4.59 (153.0)	–	–	–	–	539	–	–	–

* Tips are tested in water.

Fluid output (Q) at other pressures (P) can be calculated by this formula: $Q = (0.041) (QT) \sqrt{P}$ where QT = fluid output (fl oz/min) at 41 bar (4.1 MPa - 600 psi) from the above table for the selected orifice size.

† These tip sizes include a 150 mesh filter.

AEF FINE FINISH PRE-ORIFICE SPRAY TIPS

Recommended for high finish quality applications at low and medium pressures. AEF tips have a pre-orifice that assists in atomizing sheer thinning materials.
Order desired tip, Part No. AEFxxx, where xxx = 3-digit number from the matrix below.

Orifice Size mm (inch)	Fluid Output fl l/min (oz/min)		Maximum Pattern Width at 305 mm (12 inches) mm (inches)					
	at 41 bar (4.1 MPa - 600 psi)	at 70 bar (7.0 MPa - 1000 psi)	150-200 (6-8)	200-250 (8-10)	250-300 (10-12)	300-350 (12-14)	350-400 (14-16)	400-450 (16-18)
			Spray Tip					
† 0.254 (0.010)	0.28 (9.5)	0.37 (12.5)	310	410	510	610	710	–
0.305 (0.012)	0.35 (12.0)	0.47 (16.0)	312	412	512	612	712	812
0.356 (0.014)	0.47 (16.0)	0.62 (21.0)	314	414	514	614	714	814
0.406 (0.016)	0.59 (20.0)	0.78 (26.5)	–	416	516	616	716	–

* Tips are tested in water.

Fluid output (Q) at other pressures (P) can be calculated by this formula: $Q = (0.041) (QT) \sqrt{P}$ where QT = fluid output (fl oz/min) at 41 bar (4.1 MPa - 600 psi) from the above table for the selected orifice size.

† These tip sizes include a 150 mesh filter.

Technical Specifications

Pro Xp Electrostatic Guns

Tech Specs by Gun Model

	Pro Xp40	Pro Xp60	Pro Xp85	Pro Xp60 AA	Pro Xp85 AA
Maximum Voltage Output	40 kV	60 kV	85 kV	60 kV	85 kV
Maximum Working Fluid Pressure	7 bar (0.7 MPa - 100 psi)	7 bar (0.7 MPa - 100 psi)	7 bar (0.7 MPa - 100 psi)	210 bar (21 MPa - 3000 psi)	210 bar (21 MPa - 3000 psi)
Maximum Working Air Pressure	7 bar (0.7 MPa - 100 psi)	7 bar (0.7 MPa - 100 psi)	7 bar (0.7 MPa - 100 psi)	7 bar (0.7 MPa - 100 psi)	7 bar (0.7 MPa - 100 psi)
Gun Weight (without hose)*	560 g (19.8 oz)	600 g (21 oz)	675 g (23.8 oz)	660 g (23 oz)	728 g (25.7 oz)
Gun Length	22 cm (8.7 in)	24 cm (9.5 in)	26.5 cm (10.5 in)	24.5 cm (9.7 in)	27 cm (10.7 in)
Recommended paint resistivity range	Standard	25 MΩ/cm to ∞	25 MΩ/cm to ∞	25 MΩ/cm to ∞	3 MΩ/cm to ∞
	High Cond.	1 to 25 MΩ/cm	1 to 25 MΩ/cm	1 to 25 MΩ/cm	
	Waterborne	≤ 1 MΩ/cm	≤ 1 MΩ/cm	≤ 1 MΩ/cm	≤ 1 MΩ/cm
Fluid Inlet	3/8 npsm(m)	3/8 npsm(m)	3/8 npsm(m)	1/4-18 npsm(m)	1/4-18 npsm(m)
Air Inlet	1/4 npsm(m) left handed thread	1/4 npsm(m) left handed thread	1/4 npsm(m) left handed thread	1/4 npsm(m) left handed thread	1/4 npsm(m) left handed thread
Instruction Manual	Standard	3A2494	3A2494	3A2495	3A2495
	Waterborne		3A2496	3A2497	

*Standard gun model. For other models reference the instruction manual.

GROUNDING AIR HOSES (required for use)

Length	Air Flex™	Standard	Waterborne*
1.8 m (6 ft)	244963	223068	235068
4.6 m (15 ft)	244964	223069	235069
7.6 m (25 ft)	244965	223070	235070
11 m (36 ft)	244966	223071	235071
15 m (50 ft)	244967	223072	235072
23 m (75 ft)	244968	223073	235073
30.5 m (100 ft)	244969	223074	235074

Air Flex: EPDM rubber core and cover for extra flexibility.

Standard: Modified semi-conductive polyamide core, urethane cover for added durability.

*Waterborne (required for isolated waterborne applications): Conductive SST wire braid for grounding. Polyurethane tube and cover.

OPERATOR ACCESSORIES

Part Number	Description
117823	Conductive Gloves, box of 12 (small)
117824	Conductive Gloves, box of 12 (medium)
117825	Conductive Gloves, box of 12 (large)
24N603	Gun Covers. For 40 kV and 60 kV guns. Box of 10.
24N604	Gun Covers. For 85 kV guns. Box of 10.
24N758	Display Covers. Keeps Smart display clean. Package of 5.
24N520	Comfort Grip. Snap-on grip increases handle size to reduce operator fatigue. Medium size.
24N521	Comfort Grip. Snap-on grip increases handle size to reduce operator fatigue. Large size.
24P170	Metal trigger to replace standard trigger.
24P171	Four-finger Trigger Kit. To convert Pro Xp air spray guns to a four-finger trigger.

TEST EQUIPMENT

Part Number	Description
241079	Megohmmeter. 500 V output, 0.01-2000 megohms. Use for ground continuity and gun resistance tests.
722886	Paint Resistance Meter. Use for fluid resistivity test.
722860	Paint Probe. Use for fluid resistivity test. These two parts must be used together.
245277	Test Fixture. High Voltage Probe and kV meter. Use to test the electrostatic voltage of the gun and the condition of the alternator and power supply when being serviced.

GUN ACCESSORIES

Part Number	Description
24N642	Ball Swivel for gun air inlet. 1/4 npsm (left-handed thread).
24P172	Quick Adjust Knob. For quick change of fan size.
24N636	Low profile atomizing air control
24N994	High conductivity hose. 7.6 m (25 ft) length to replace 60 kV HC fluid tube kit.
24N318	Round Spray Kit. To convert a standard air spray gun to a round spray air cap.
24N319	Round Spray Kit. To convert a standard air-assist spray gun to a round spray air cap.
24N704	Electrode Replacement Needle for abrasive materials. Blue.



ABOUT GRACO

Founded in 1926, Graco is a world leader in fluid handling systems and components. Graco products move, measure, control, dispense and apply a wide range of fluids and viscous materials used in vehicle lubrication, commercial and industrial settings.

The company's success is based on its unwavering commitment to technical excellence, world-class manufacturing and unparalleled customer service. Working closely with qualified distributors, Graco offers systems, products and technology that set the quality standard in a wide range of fluid handling solutions. Graco provides equipment for spray finishing, protective coating, paint circulation, lubrication, and dispensing sealants and adhesives, along with power application equipment for the contractor industry. Graco's ongoing investment in fluid management and control will continue to provide innovative solutions to a diverse global market.

GRACO LOCATIONS

MAILING ADDRESS

P.O. Box 1441
Minneapolis, MN 55440-1441
Tel: 612-623-6000
Fax: 612-623-6777

AMERICAS

MINNESOTA

Worldwide Headquarters
Graco Inc.
88-11th Avenue N.E.
Minneapolis, MN 55413

EUROPE

BELGIUM

European Headquarters
Graco BVBA
Industrieterrein-Oude Bunders
Slakweidestraat 31
3630 Maasmechelen,
Belgium
Tel: 32 89 770 700
Fax: 32 89 770 777

ASIA PACIFIC

AUSTRALIA

Graco Australia Pty Ltd.
Suite 17, 2 Enterprise Drive
Bundoora, Victoria 3083
Australia
Tel: 61 3 9468 8500
Fax: 61 3 9468 8599

CHINA

Graco Hong Kong Ltd.
Shanghai Representative Office
Building 7
1029 Zhongshan Road South
Huangpu District
Shanghai 200011
The People's Republic of China
Tel: 86 21 649 50088
Fax: 86 21 649 50077

INDIA

Graco Hong Kong Ltd.
India Liaison Office
Room 432, Augusta Point
Regus Business Centre 53
Golf Course Road
Gurgaon, Haryana
India 122001
Tel: 91 124 435 4208
Fax: 91 124 435 4001

JAPAN

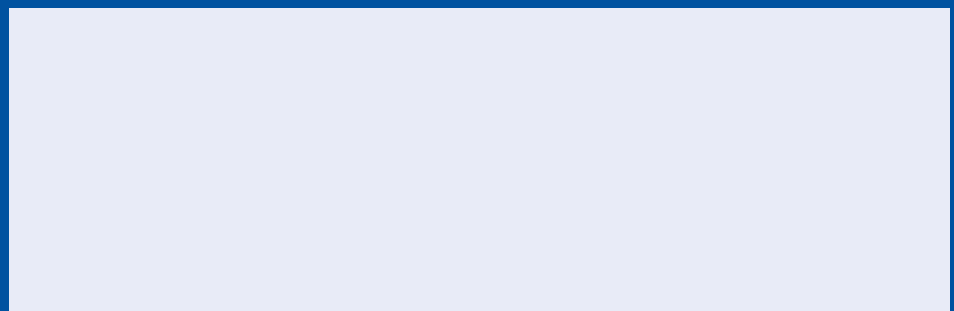
Graco K.K.
1-27-12 Hayabuchi
Tsuzuki-ku
Yokohama City, Japan 2240025
Tel: 81 45 593 7300
Fax: 81 45 593 7301

KOREA

Graco Korea Inc.
Shinhan Bank Building
4th Floor #1599
Gwanyang-Dong, Dongan-Ku,
Anyang-si, Korea 431-060
Tel: 82 31 476 9400
Fax: 82 31 476 9801

All written and visual data contained in this document are based on the latest product information available at the time of publication. Graco reserves the right to make changes at any time without notice.

Graco is certified ISO 9001.



Europe
+32 89 770 700
FAX +32 89 770 777
WWW.GRACO.COM